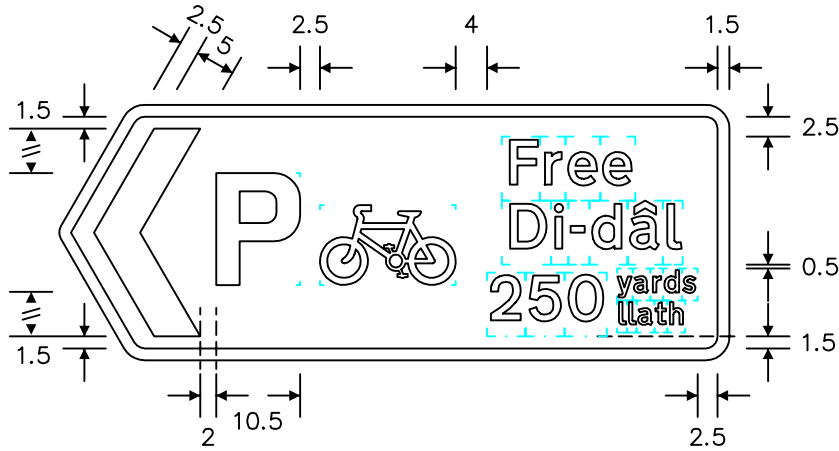
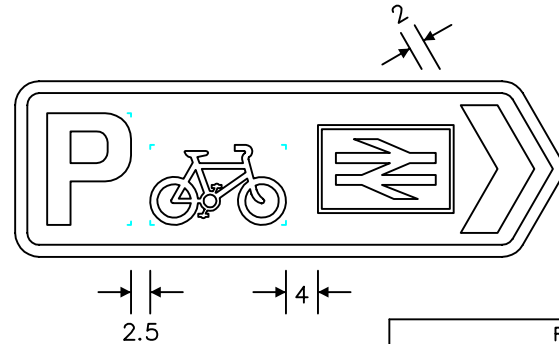
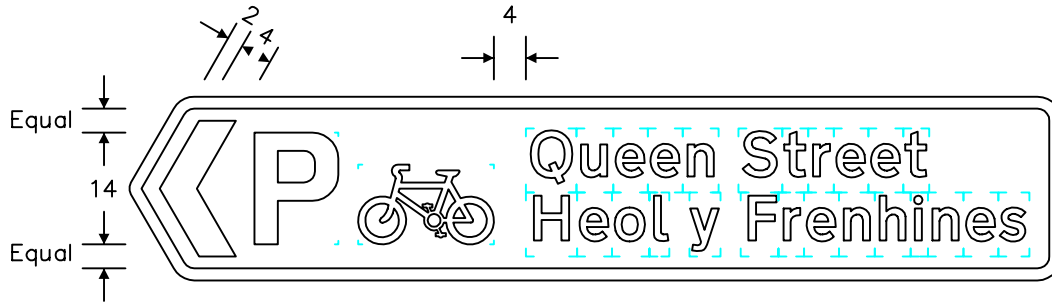


Notes:-

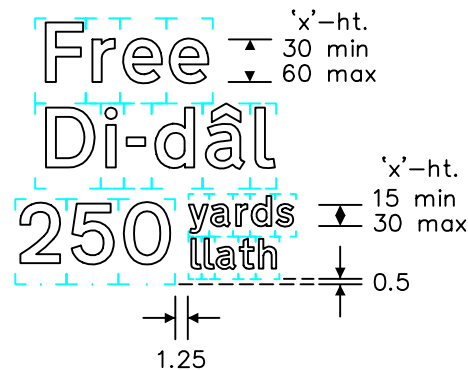
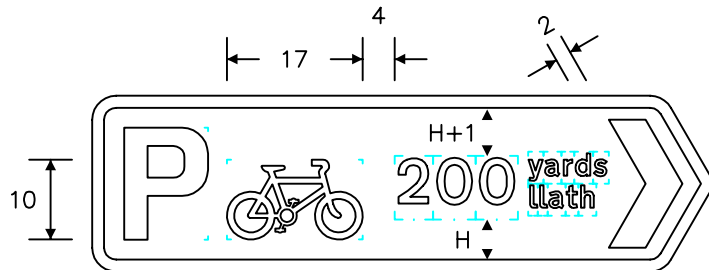
1. The legend is from the Transport Medium alphabet at the 'x'-heights shown.
2. Details of the bicycle & 'P' symbols are given on dwgs S24 & S43 respectively. See the 'S' series of drawings for other symbols.
3. The outlines of the tiles do not form part of the sign.
4. The colours are as follows:-  
Background \_\_\_\_\_ Blue  
Legend, chevron & border \_\_\_\_\_ White  
'P' and cycle symbols \_\_\_\_\_ White
5. The illumination of the sign must accord with the requirements of the current 'Traffic Signs Regulations and General Directions'.
6. The 'x'-heights shown are given in millimetres, all other dimensions are given in stroke widths based on the main legend (i.e.  $1s/w = 1/4x'$ -height).
7. The sign is designed in accordance with the current design rules.
8. The order of languages may be reversed if required.



Special spacing rule for chevron applies only to 'P' symbol



'x'-ht.  
▲ 30 min  
▼ 60 max



REVISIONS	
1.	Dims amended & nos changed from 735.1&735.2
2.	Redrawn & notes amended 23.8.00
3.	Legend amended 25.8.04
4.	Variants added 4.10.06
Before using this drawing, confirm with RNM3 Division that it has not been superseded.	
Drn. A.T.I.	Appd.
Chkd.	Appl. date 21.11.83
Issue: 4.10.06	
Scale: Photo-reduced	
Title Directional Signs for Cyclists	
DIRECTION TO PARKING PLACE FOR PEDAL CYCLES	
WELSH ASSEMBLY GOVERNMENT	
Drwg. no.	WAG/P 2604