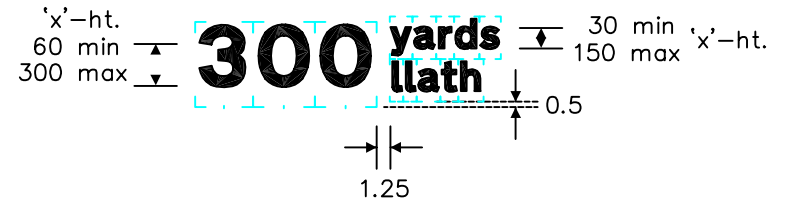
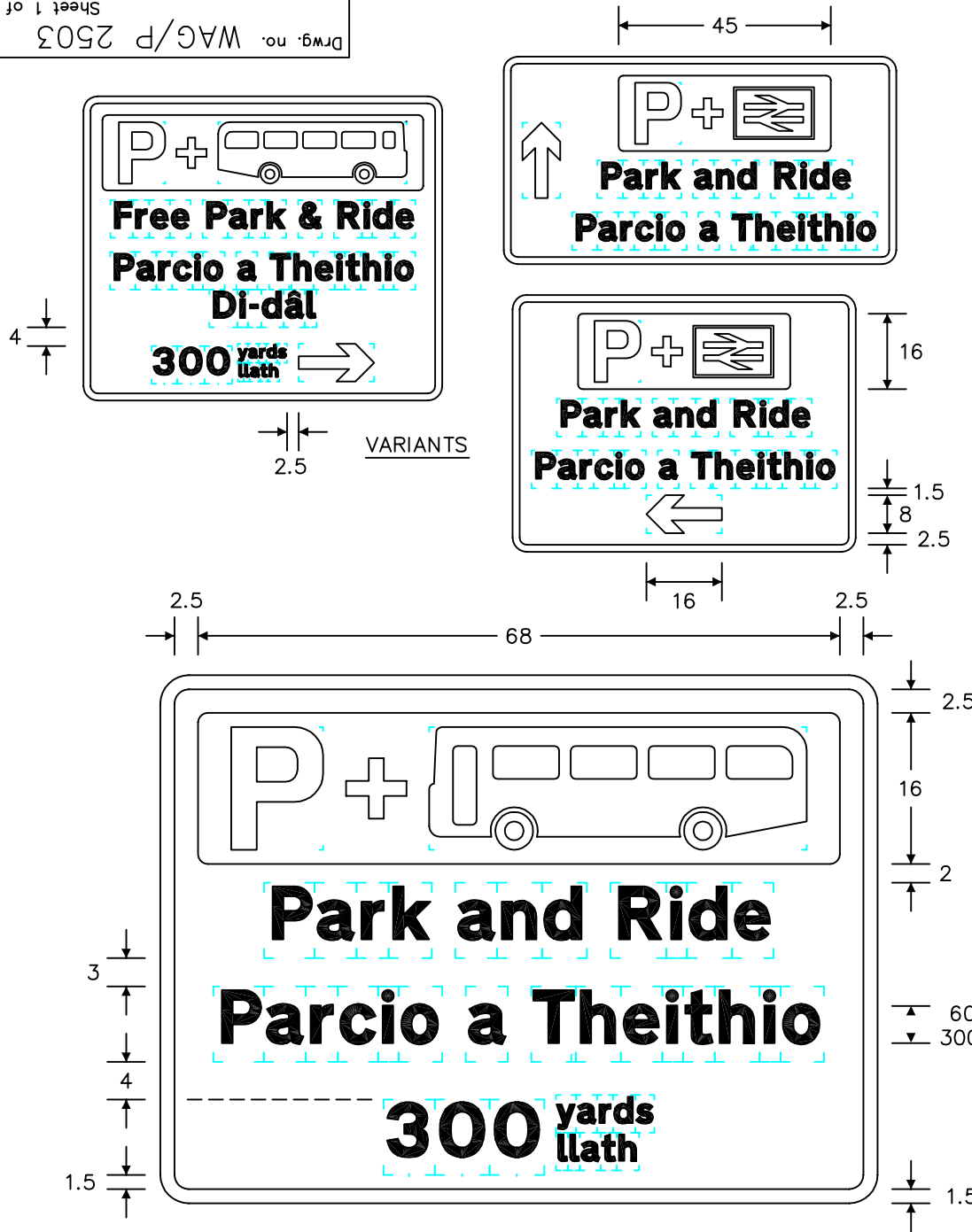
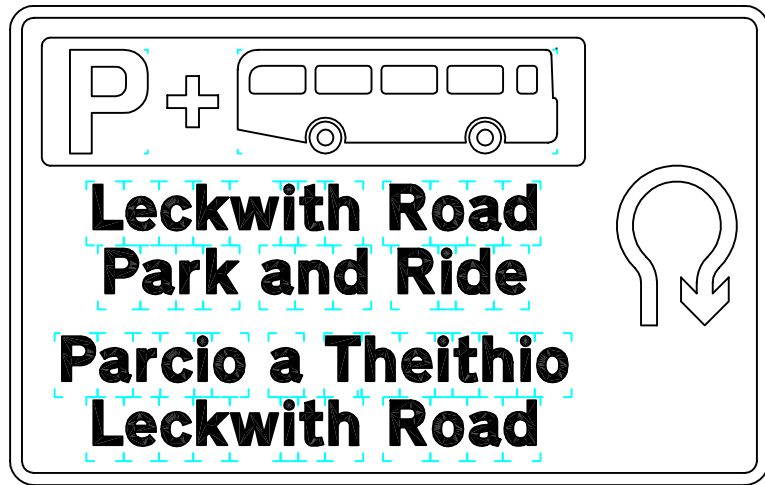


Notes: -

1. The legends are from the Transport Heavy alphabet at the 'x'-heights shown.
2. Details of the symbols are given on drawings S25 sheet 1, S38 and S43.
3. The outlines of the tiles do not form part of the sign.
4. The colours are as follows: -
 Legend, border & arrow ————— Black
 Sign background, 'P' & Bus symbols ——— White
 Symbol panel ————— Blue
 Railway station symbol ————— See dwg S38
5. The illumination of the sign must accord with the requirements of the current 'Traffic Signs Regulations and General Directions'.
6. The 'x'-heights shown are given in millimetres, all other dimensions are given in stroke widths based on the main text height. (i.e. 1s/w = 1/4'x'-height)
7. The sign is designed in accordance with the current design rules.
8. The order of languages may be reversed if required.
9. See sheet 2 for other variants and sheet 3 for details of symbol panel.



REVISIONS	
1. Redrawn & notes amended	22.8.00
2. 'x'-hts chgd, variants & 2504 removed	13.8.04
3. Variants added	18.4.06
Before using this drawing, confirm with RNM3 Division that it has not been superseded.	
Drn. A.T.I.	Appd.
Chkd.	Appl. date 3.9.97
Issue: 18.4.06	
Scale: Photo-reduced	
Title Directional Signs	
DISTANCE AHEAD TO A PARK AND RIDE SITE (and variants)	
WELSH ASSEMBLY GOVERNMENT	
Drwg. no. WAG/P 2503	



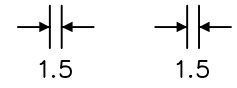
Equal
20
Equal

4 15

Notes: -

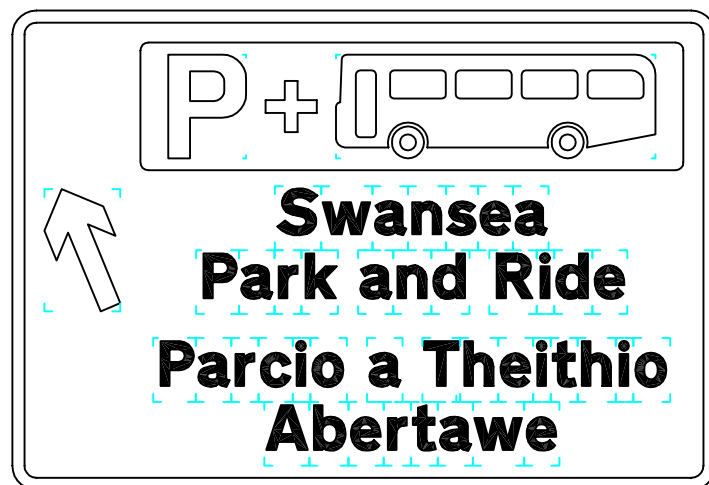
1. The legends are from the Transport Heavy alphabet at the 'x'-heights shown.
2. Details of the symbols are given on drawings S25 sheet 1 and S43.
3. The outlines of the tiles do not form part of the sign.
4. The colours are as follows: -
Legend, border & arrow ————— Black
Sign background, 'P' & bus symbols ——— White
Symbol panel ————— Blue
5. The illumination of the sign must accord with the requirements of the current 'Traffic Signs Regulations and General Directions'.
6. The 'x'-heights shown are given in millimetres, all other dimensions are given in stroke widths (i.e. 1s/w = 1/4'x'-height).
7. The sign is designed in accordance with the current design rules.
8. The order of languages may be reversed if required.
9. See sheet 1 for other dimensions and sheet 3 for details of symbol panel. Details of the U-turn arrow are given in section 14 of Chapter 7 of the Traffic Signs Manual.

8 am - 9 pm



'x'-ht.
60 min
300 max

2.5



67.5°
arrow

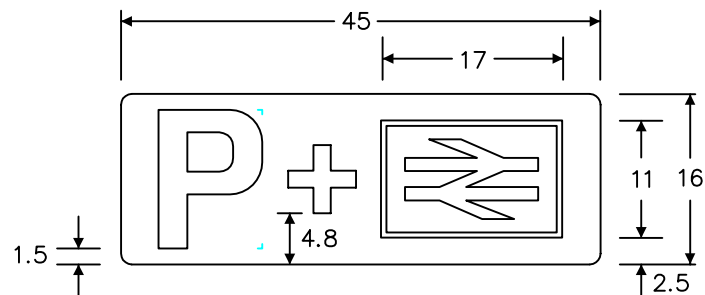
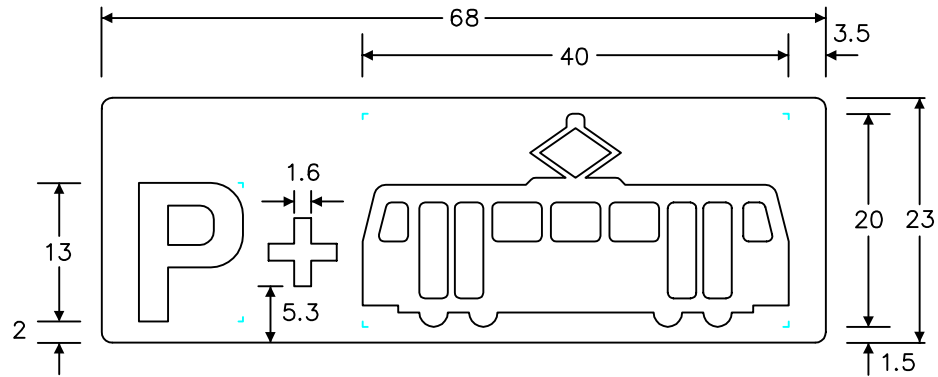
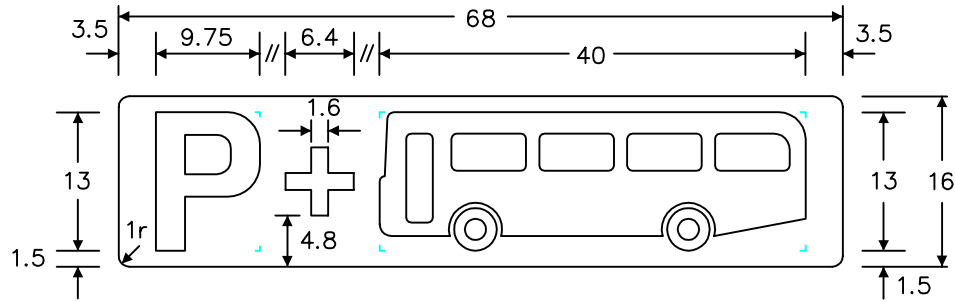
3
5
3
1

DESIGN FOR USE ON MOTORWAYS AND AT OTHER GRADE SEPARATED JUNCTIONS

REVISIONS	
1.	Variants amended 18.4.06
Before using this drawing, confirm with RNM3 Division that it has not been superseded.	
Drn.	A.T.I.
Appd.	
Chkd.	
	Appl. date 13.8.04
Issue: 18.4.06	
Scale: Photo-reduced	
Title	
Directional Signs	
DIRECTION TO A PARK AND RIDE SITE AT A JUNCTION AHEAD	
WELSH ASSEMBLY GOVERNMENT	
Drwg. no.	WAG/P 2503

Notes:-

1. Details of the bus, tram, British Rail & 'P' symbols are given on drawings S25 sheet 1, S26, S38 and S43 respectively.
2. The colours are as follows:-
 Panel background _____ Blue
 Bus, Tram, 'P' and '+' symbols _____ White
 British Rail symbol _____ See S38
3. All dimensions are in stroke widths. (4sw = 'x'-height of the sign to which the panel is applied)
4. See sheets 1 and 2 for sign details.



REVISIONS	
1.	Redrawn & notes amended 22.8.00
2.	Notes amended 18.4.06
Before using this drawing, confirm with RNM3 Division that it has not been superseded.	
Drn.	A.T.I.
Appd.	
Chkd.	
Appl. date	3.9.97
Issue:	18.4.06
Scale:	Photo-reduced
Title	Directional Signs
PARK AND RIDE (Panel details)	
WELSH ASSEMBLY GOVERNMENT	
Drwg. no.	WAG/P 2503
Sheet 3 of 3	