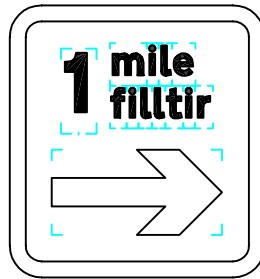
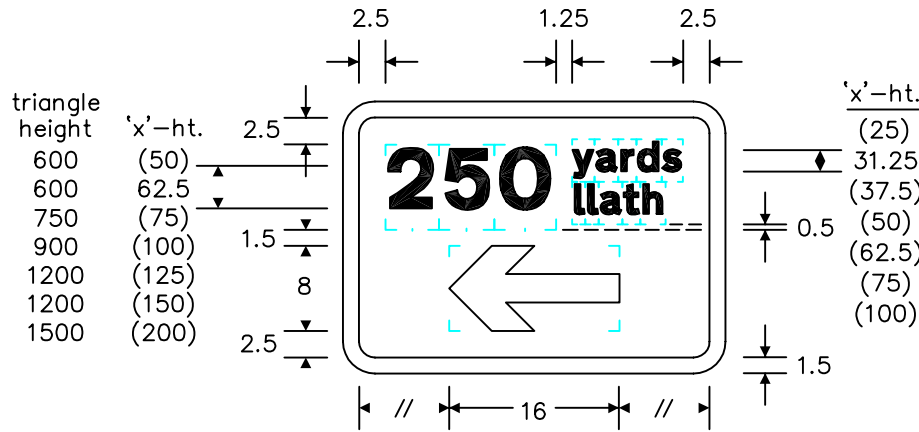
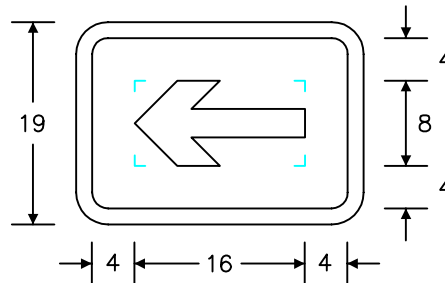


Notes:-

1. The legend is from the Transport Heavy alphabet at the 'x'-heights shown.
2. The outlines of the tiles do not form part of the sign.
3. The colours are as follows:-
Background _____ White
Border, legend & arrow _____ Black
4. The illumination of the sign must accord with the requirements of the current 'Traffic Signs Regulations and General Directions'.
5. The 'x'-heights shown are given in millimetres, all other dimensions are given in stroke widths based on the numeral 'x'-ht. (i.e. 1s/w = 1/4'x'-height).
6. The sign is designed in accordance with the current design rules.
7. The order of languages may be reversed if required.



Variant



Variant

NB Mutation applies ('milltir' changes to 'filltir') when the mileage contains a '1' or a '2'

For distances 3 miles and over or when 1/2 and 3/4 are used there is no mutation

1 mile filltir **1½ miles filltir** **2½ miles filltir**

3 miles filltir **5 miles filltir** **1½ mile filltir**

REVISIONS	
1.	Notes amended 1.8.80
2.	Design space added, dims. chgd. 12.7.84
3.	571 removed, redrawn 20.3.89
4.	Redrawn & dimensions amended 18.7.95
5.	Redrawn & notes amended 16.8.99
6.	573 put on separate sheet 7.3.05
7.	Notes amended 5.1.07
Before using this drawing, confirm with RNM3 Division that it has not been superseded.	
Drn.	A.T.I.
Appd.	
Chkd.	
Appl. date	17.3.77
Issue:	5.1.07
Scale:	Photo-reduced
Title	Supplementary Plates
DISTANCE AND DIRECTION TO HAZARD	
WELSH ASSEMBLY GOVERNMENT	
Drwg. no.	WAG/P 573